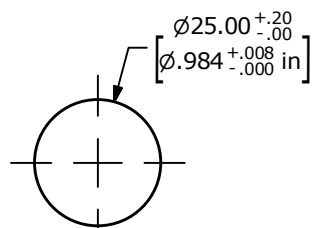


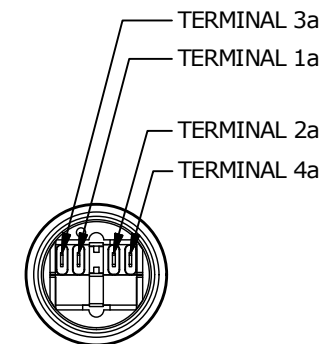
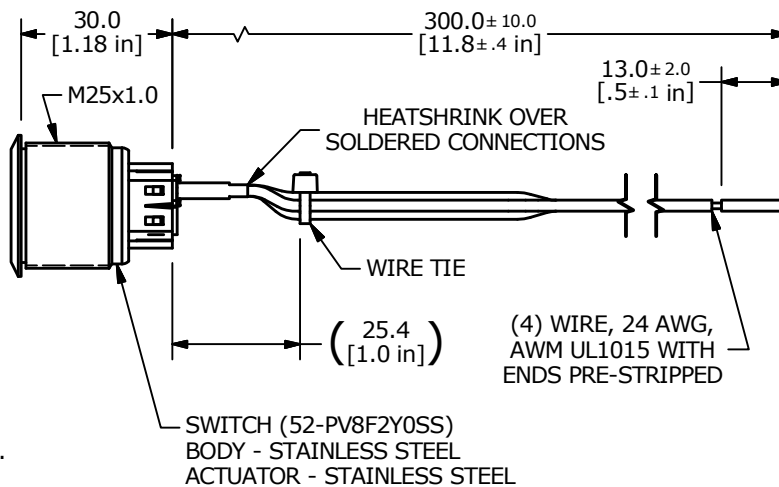
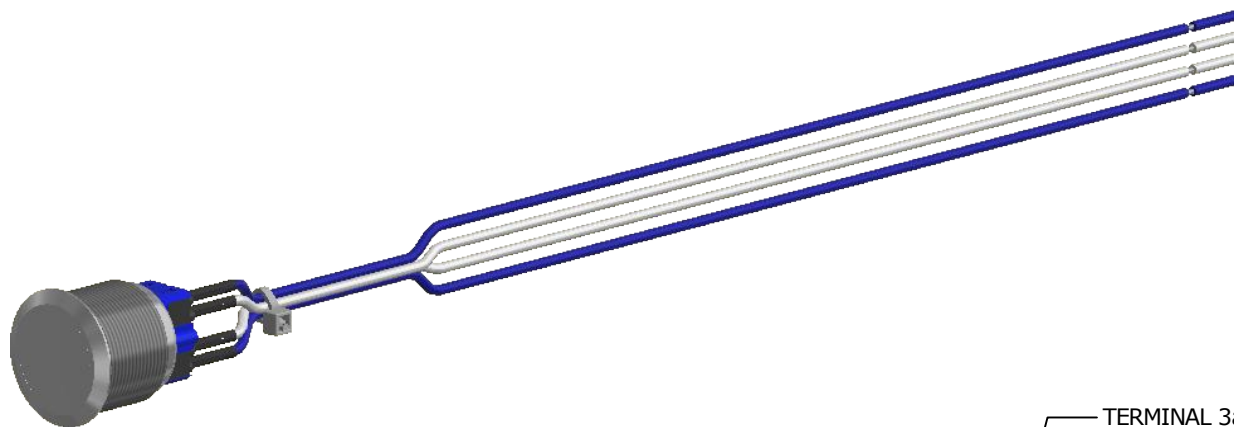
SCHEMATIC

OFF - (ON) / ON - (OFF)
 SPDT NON-ILLUMINATED
 () DENOTES MOMENTARY FUNCTION

SWITCH	WIRE	LENGTH
SW1-1a	WIRE, 24AWG AWM UL1015, WHITE	300.0 [11.8 in]
SW1-2a	WIRE, 24AWG AWM UL1015, WHITE	300.0 [11.8 in]
SW1-3a	WIRE, 24AWG AWM UL1015, BLUE	300.0 [11.8 in]
SW1-4a	WIRE, 24AWG AWM UL1015, BLUE	300.0 [11.8 in]



RECOMMENDED PANEL CUTOUT
 MAX. PANEL THICKNESS 10.0 [.39 in]



BOTTOM VIEW
 SHOWN WITHOUT WIRING

- NOTES:**
1. DIMENSIONS IN MM [INCH]
 2. ALL MATERIAL SHALL BE ROHS COMPLIANT
 3. TERMINAL NUMBERS FOR REF. ONLY
 4. CONTACT MATERIAL: SILVER
 5. RATING: 2A 48VDC
 6. INGRESS PROTECTION: IP65
 7. TRAVEL: 2.8mm
 8. OPERATING TEMP.: -20°C to 55°C
 9. INSULATION RESISTANCE: 1,000 MΩ MIN.
 10. CONTACT RESISTANCE: 50mΩ MAX. @ 1A 12VDC
 11. DIELECTRIC STRENGTH: 2,000 VAC MIN. FOR 1 MINUTE
 12. ELECTRIC LIFE: 50,000 MAKE-AND-BREAK CYCLES AT FULL LOAD.
 13. ▲ DENOTES CRITICAL PARAMETER.
 - ▲ 14. SUPPLIED HARDWARE: O-RING AND HEXNUT
 15. USE PART NUMBERS DESIGNATED OR ENGINEERING APPROVED EQUIVALENTS.



D	23995	UPDATED NOTES	8/13/19	MJR
C	23870	UPDATED HEATSHRINK DIM. TO 15.0	5/1/19	MJR
REV	PCR NO	DESCRIPTION	DATE	BY

TITLE PV8FWY0SS				
SCALE 2:3	DATE 1/21/2019	DR MJR	DWG 52-PV8FWY0SS	REV D